



Product Spec Sheet

AF - Monaco 30 [60x30x21]

- Gelcoat surface, reinforced fiberglass
- Above floor rough-in deep soaking skirted bathtub
- Sloped back rest
- Non slip bottom
- Tiling Flange
- Adjustable legs for levelling
- Standard White
- ICC Approved Certification



Approximate Weight

- 60 lbs

Dimensions

A	59 3/4"	(1518mm)
B	30"	(762mm)
C	21"	(533mm)
D	14"	(356mm)
E	9"	(229mm)
F	14 3/4"	(375mm)

Inner Tub Dimensions

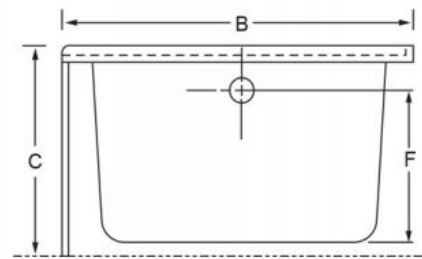
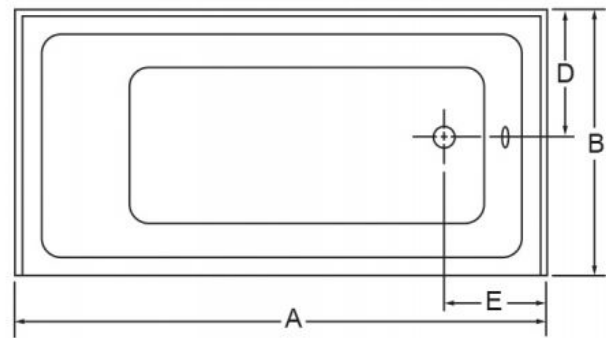
TOP	54 3/4" x 23 1/4"	(1391 x 591mm)
BOTTOM	48 1/2" x 20 1/2"	(1232 x 521mm)
VOLUME	181 L	
ABOVE FLOOR MODEL		

Overflow to Drain

Product is made of Gel-coat surface & reinforced with heavy-duty fiberglass. The unit has a 1" nailing flange on front & top edges (except for drop in tubs). Product measurements are to the outside of nailing flange. Measurements are plus (+) or minus (-) 1/4".

Altrek cannot assume responsibility for code compliance in your specific project. Please check specifications and other information with the appropriate authorities before ordering.

Altrek reserves the right to discontinue or make changes to product dimensions at any time. Standard colour is WHITE. Additional charge for Bone, Biscuit & Linen.



Altrek Industries Ltd.
P.O. Box 822, 138 Fisher Street
Okotoks, Alberta
T1S 1A9

Tel: (403) 938-2448
Fax: (403) 938-6563
sales@altrekproducts.com
www.altrekproducts.com

