



Product Spec Sheet

AS - 6036 BFS 1.75" L/R Barrier Free Shower [60X36X78]

This unit shall be recessed in sub-floor with overall depth determined by thickness of finished floor material. Threshold of units shall be flush, or within 1/2" of finished floor.

RECOMMENDED MINIMUM 10" CORE AT DRAIN LOCATION

STANDARD FEATURES:

- Center Drain
- 1-3/4" Threshold and roll-in "base"
- Integral Soap Ledges
- 40"x 26" L- shaped stainless steel grab bar
- 26"x 14.5" Fold-Up White Phenolic Seat
- Non slip floor
- ICC Approved Certification
- Seat and grab bar are reinforced with 1/2" wood
- More grab bar options available (see product catalogue)



Dimensions

A	59 3/4"	(1518mm)
B	36 3/4"	(933mm)
C	78 1/2"	(1994mm)
D	18 3/4"	(476mm)
E	30"	(762mm)
F	1 3/4"	(44mm)

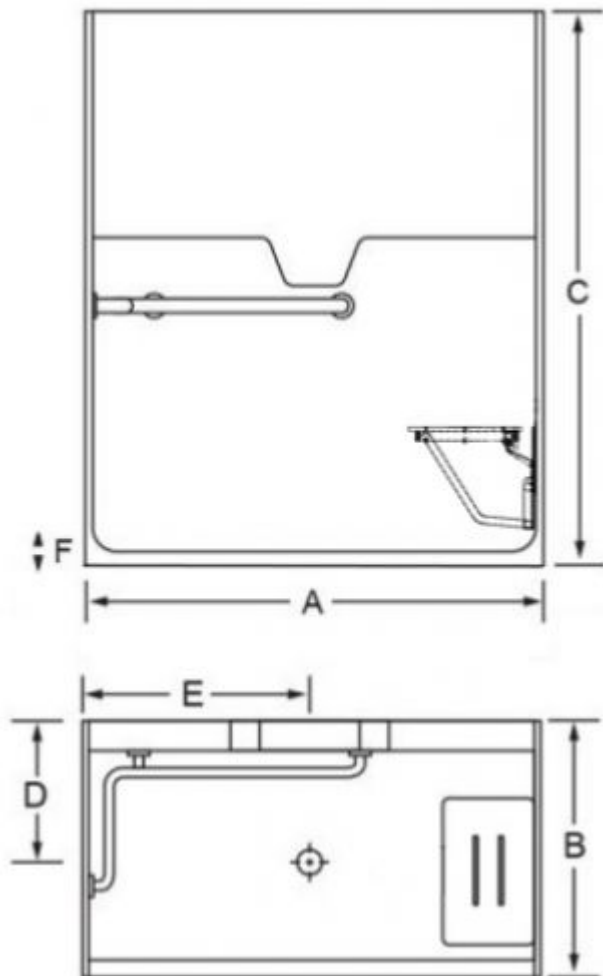
Door Opening

57"
(1448mm)

Product is made of Gel-coat surface & reinforced with heavy-duty fiberglass. The unit has a 1" nailing flange on front & top edges (except for drop in tubs). Product measurements are to the outside of nailing flange. Measurements are plus (+) or minus (-) 1/4".

Altrek cannot assume responsibility for code compliance in your specific project. Please check specifications and other information with the appropriate authorities before ordering.

Altrek reserves the right to discontinue or make changes to product dimensions at any time. Standard colour is WHITE. Additional charge for Bone, Biscuit & Linen.



Altrek Industries Ltd.
P.O. Box 822, 138 Fisher Street
Okotoks, Alberta
T1S 1A9

Tel: (403) 938-2448
Fax: (403) 938-6563
sales@altrekproducts.com
www.altrekproducts.com

